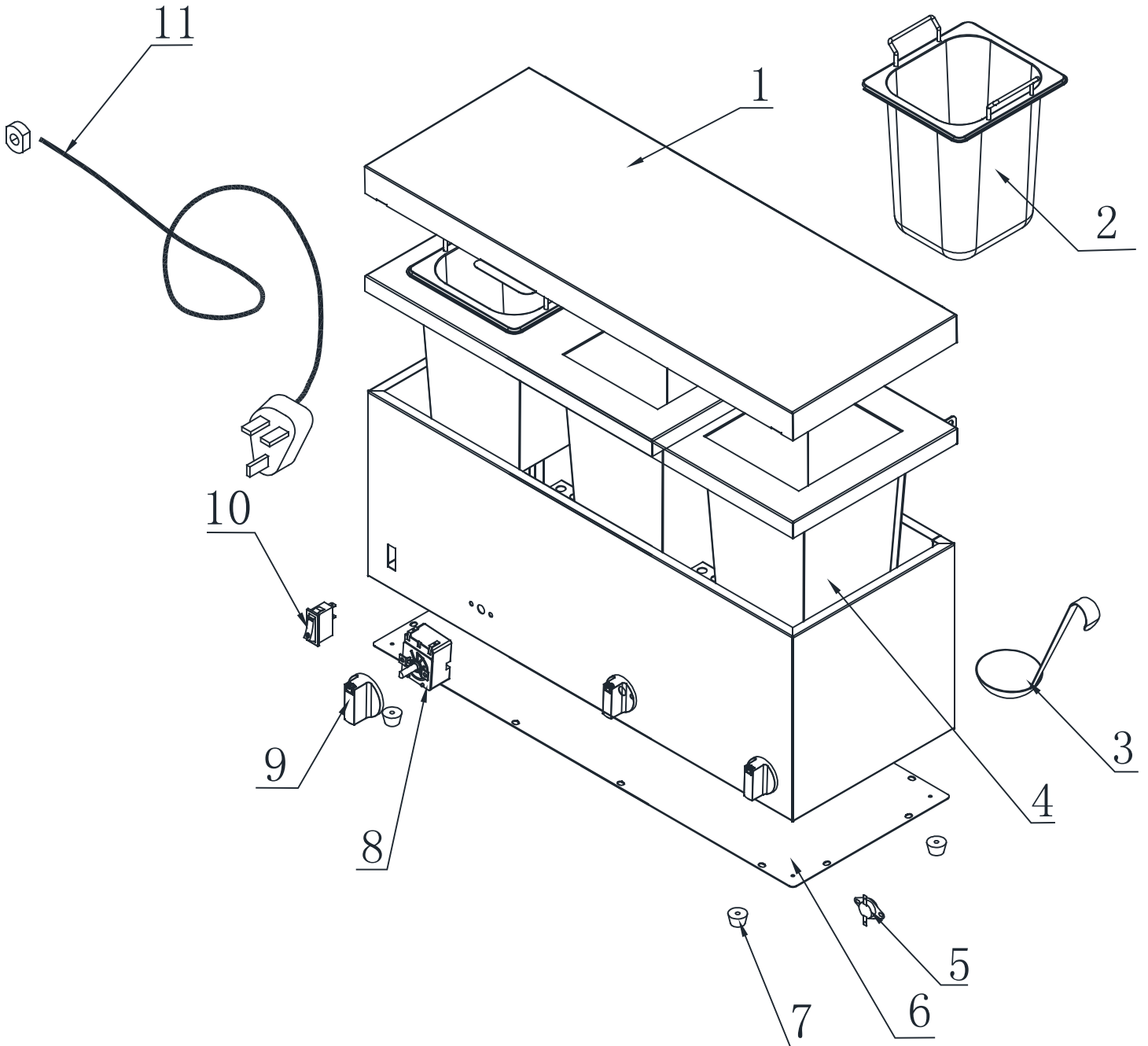


# Parts Breakdown

Model FW-CN-0253 44183





# Parts Breakdown

---

## Model FW-CN-0253 44183

Item No.	Description	Position	Item No.	Description	Position	Item No.	Description	Position
65023	Lid for 44183	1	65027	Thermal Cut Out for 44183	5	65033	Dial for 44183	9
65024	Pot with Handles for 44183	2	65030	Base for 44183	6	65034	Switch for 44183	10
65025	Spoon for 44183	3	65031	Feet for 44183	7	65035	Plug and Lead for 44183	11
65026	Element for 44183	4	65032	Thermostat for 44183	8			